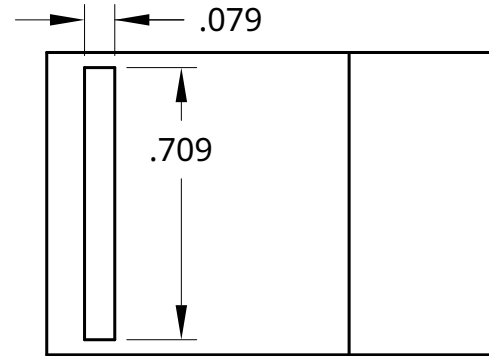
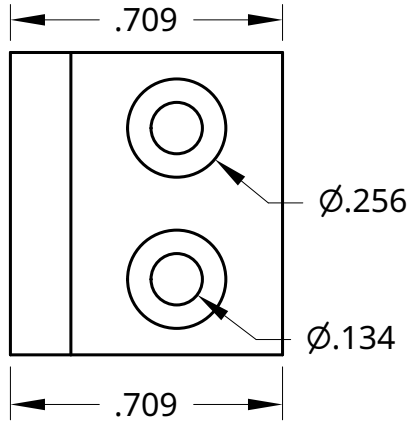
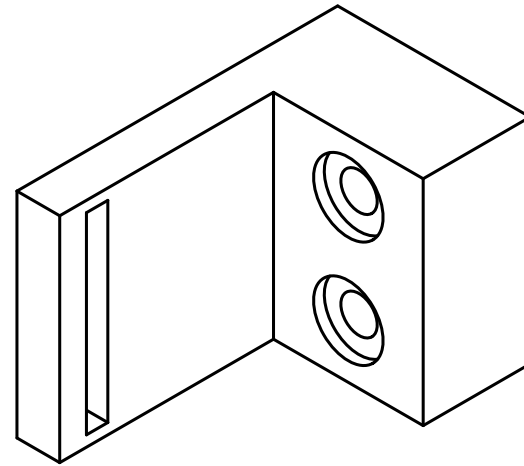
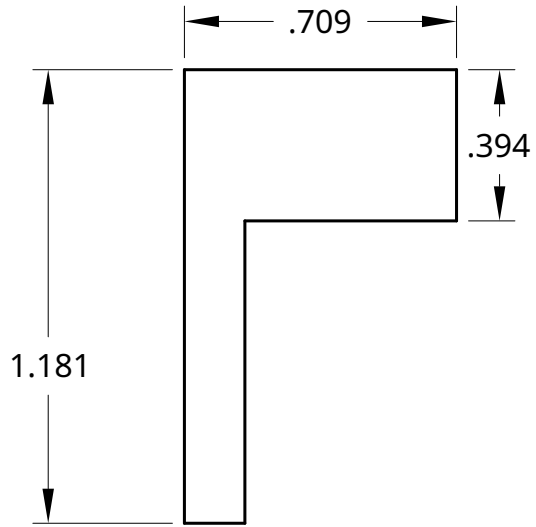


2

1



UNLESS OTHERWISE SPECIFIED,
DIMENSIONS ARE IN INCHES

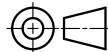
.XX = ±.0-
.XXX = ±.00-
.XXXX = ±.000-
ANGULAR = ± °
FRACTIONAL = ±

SURFACE FINISH

DO NOT SCALE DRAWING

BREAK ALL SHARP EDGES AND
REMOVE BURRS

THIRD ANGLE PROJECTION



	NAME	DATE
DRAWN	DREW BUSCH	02/19/2019
CHECKED	Mark Hazen	2/19/19
APPROVED	Kristi Hazen	2/19/19

TITLE

Battery Clip

SIZE	DWG NO.	REV.
2:1	9	1 of 1

2

1

B

B

A

A